

LT-SL SERIES INSTALLATION



LI-TIAN LIGHTING

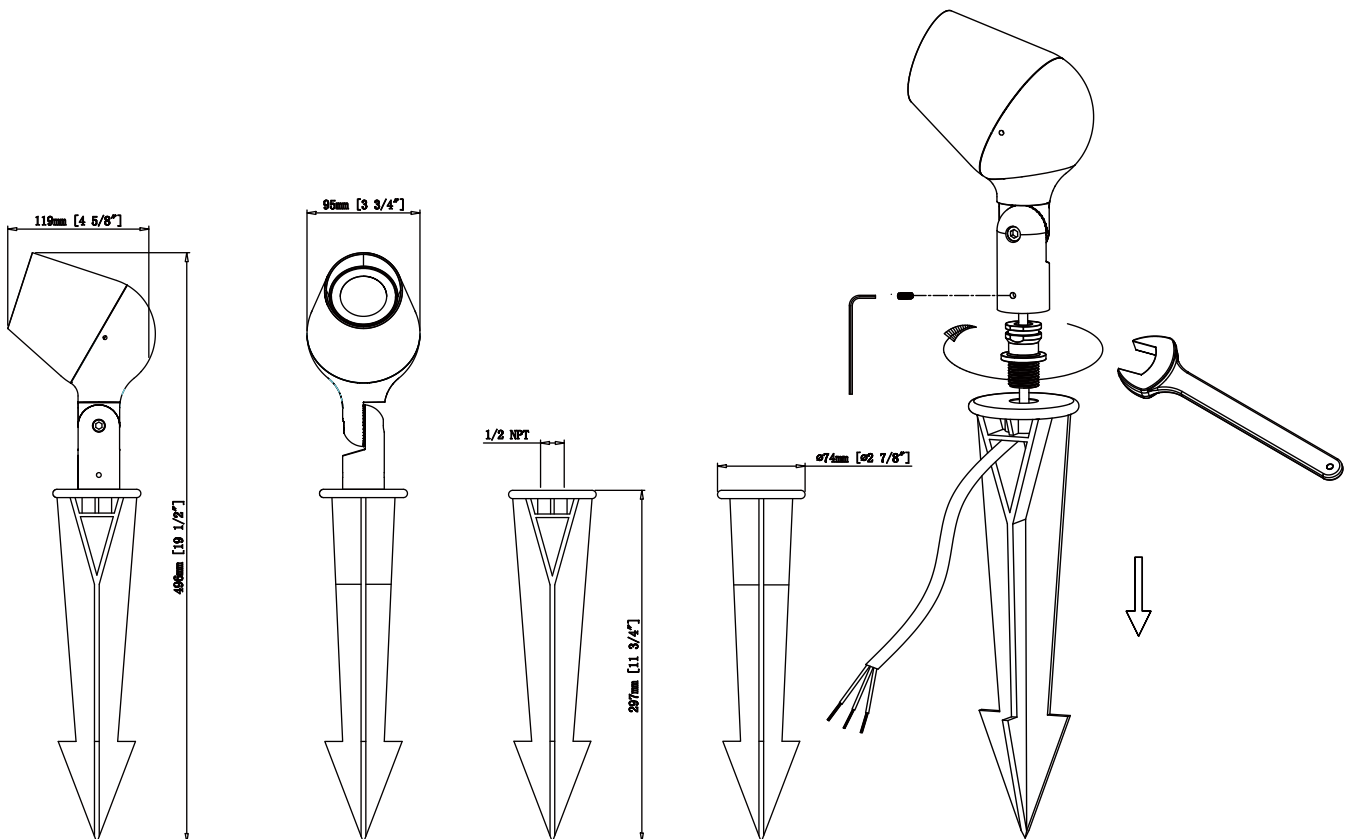
LT-SL-10-20W

LT-SL-30-60W



(Ground Stake GS) - INSTRUCTIONS

CAUTION: BEFORE CONNECTING THE FIXTURE TO A POWER SUPPLY MAKE SURE THE POWER IS SWITCHED OFF.



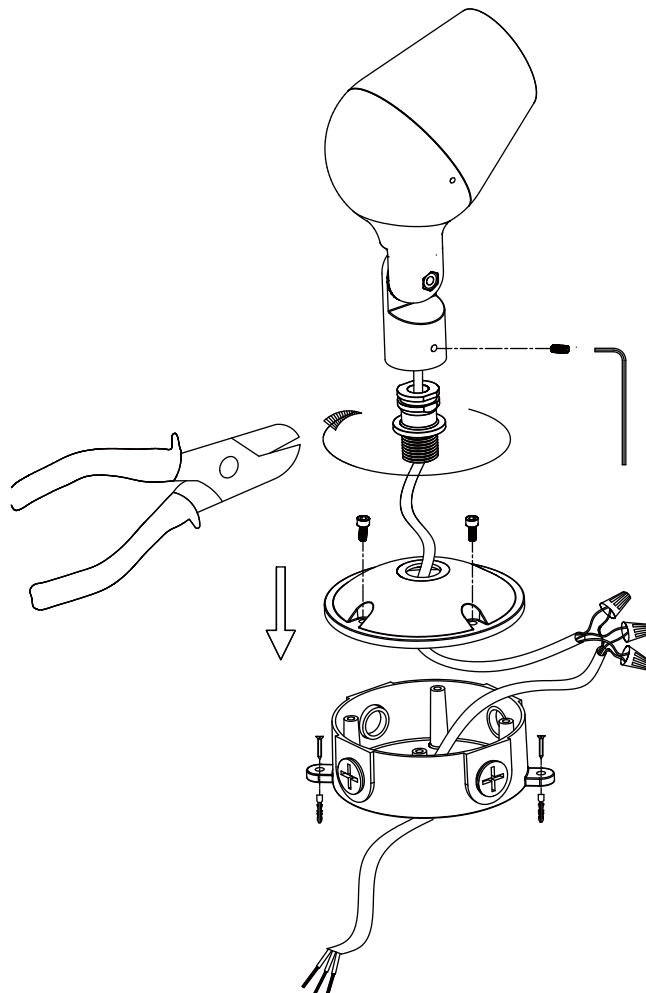
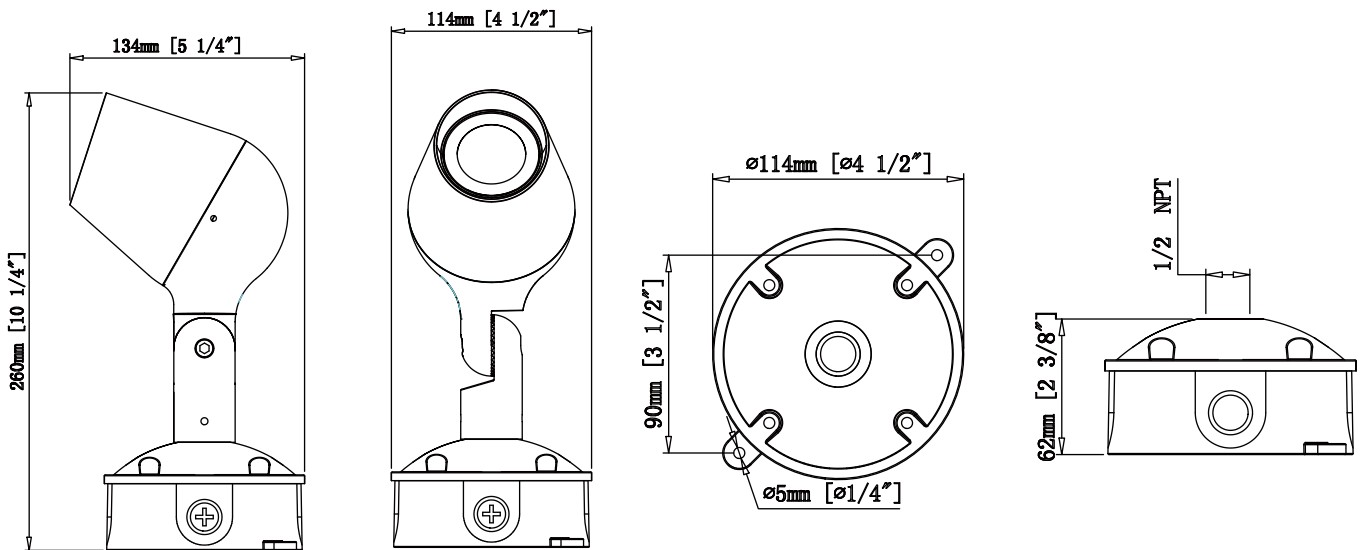
LT-SL SERIES INSTALLATION



LI-TIAN LIGHTING

(Mounting Knuckle to J-Box) - INSTRUCTIONS

CAUTION: BEFORE CONNECTING THE FIXTURE TO A POWER SUPPLY, MAKE SURE THE POWER IS SWITCHED OFF.



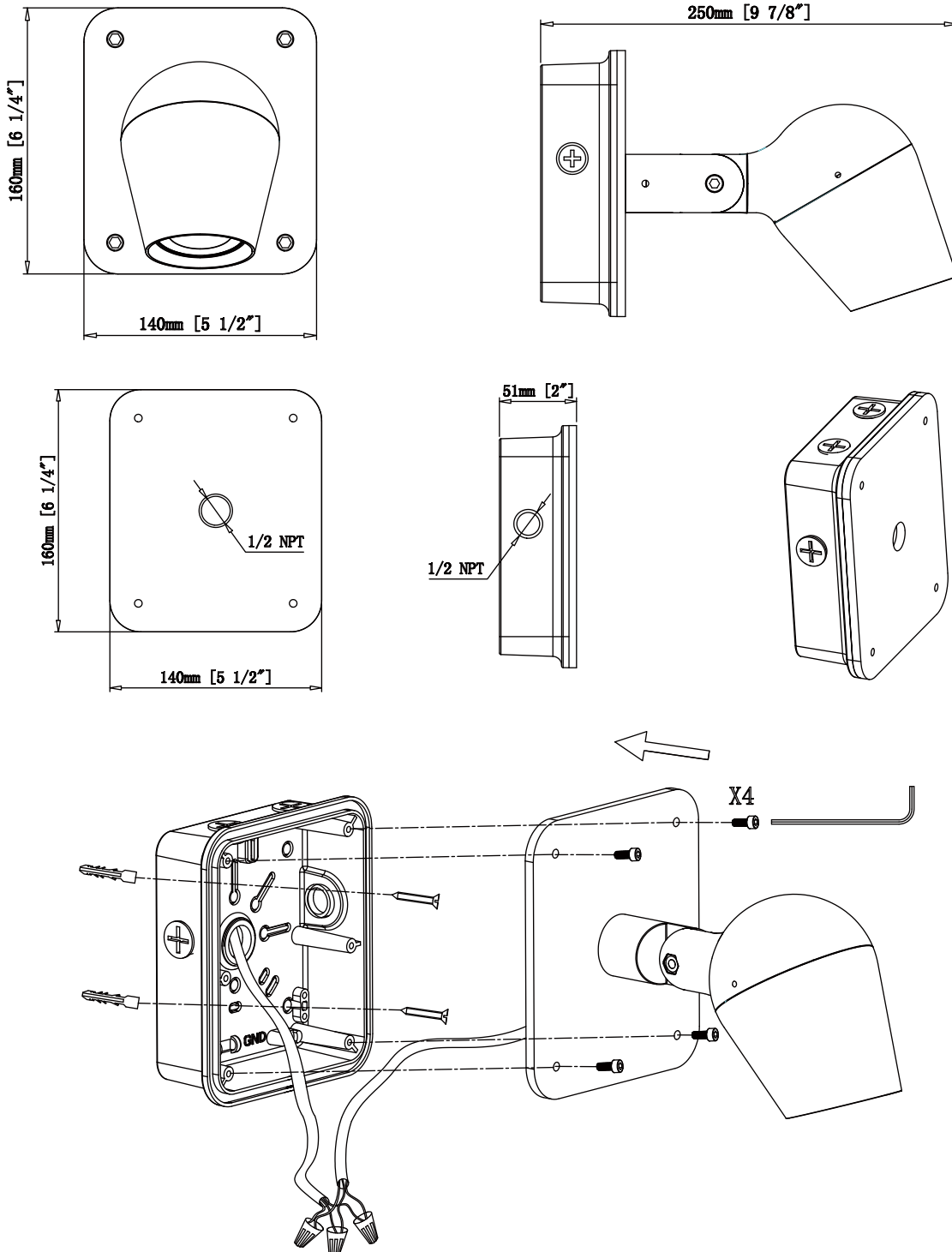
LT-SL SERIES INSTALLATION



LI-TIAN LIGHTING

(Direct Round Pole Wall Mount USA) - INSTRUCTIONS

CAUTION: BEFORE CONNECTING THE FIXTURE TO A POWER SUPPLY, MAKE SURE THE POWER IS SWITCHED OFF.



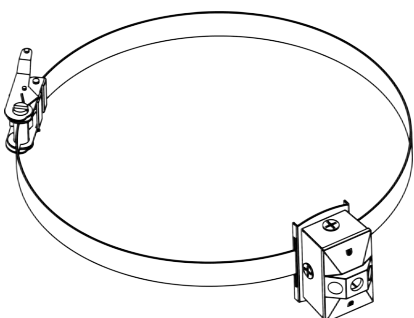
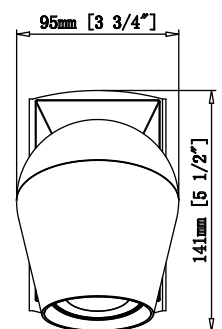
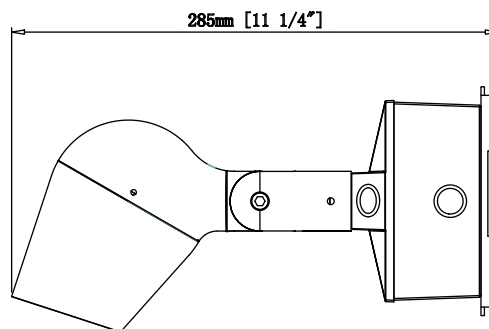
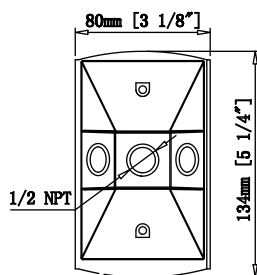
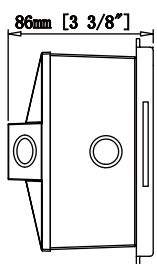
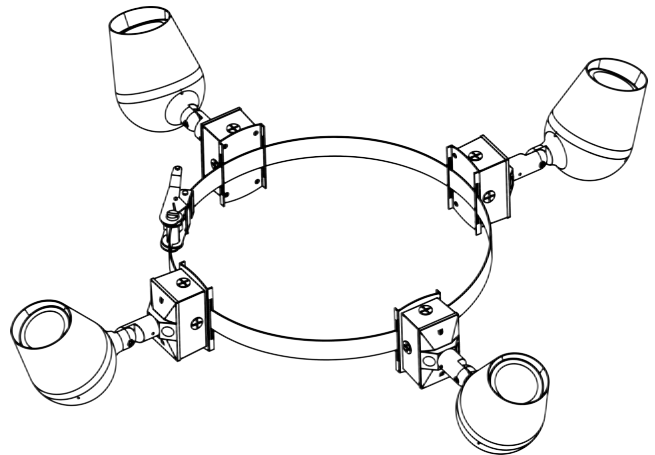
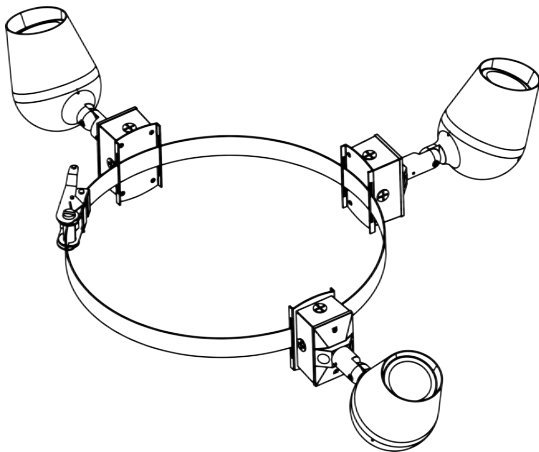
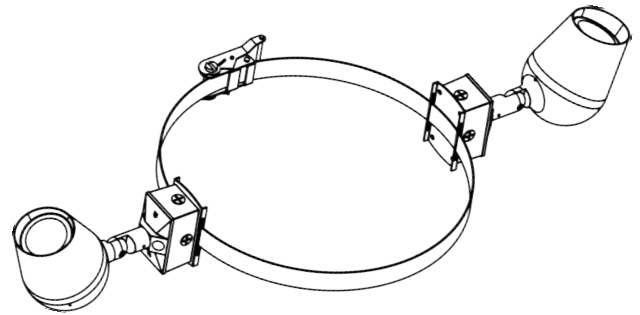
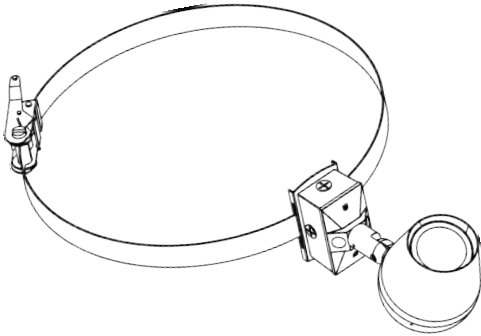
LT-SL SERIES INSTALLATION



LI-TIAN LIGHTING

(Tree Mount TM) - INSTRUCTIONS

CAUTION: BEFORE CONNECTING THE FIXTURE TO A POWER SUPPLY, MAKE SURE THE POWER IS SWITCHED OFF.



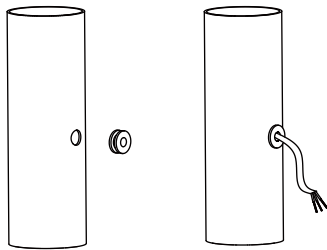
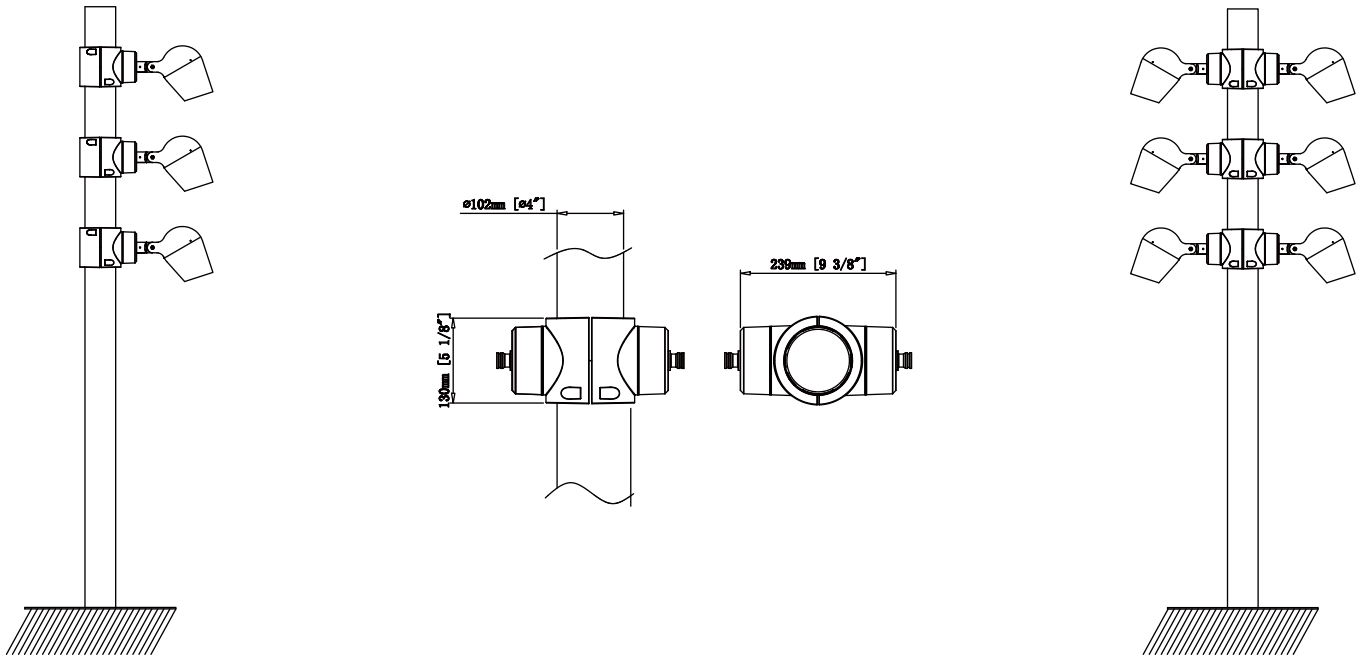
LT-SL SERIES INSTALLATION



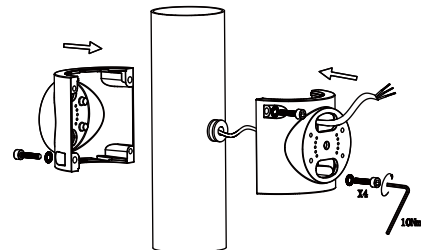
LI-TIAN LIGHTING

(Pole installation)- INSTRUCTIONS

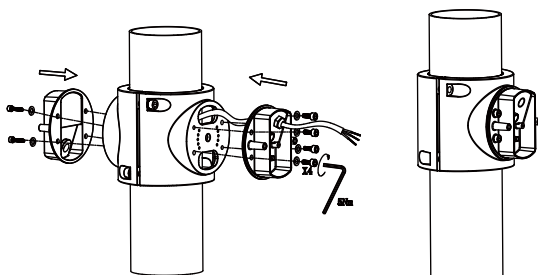
CAUTION: BEFORE CONNECTING THE FIXTURE TO A POWER SUPPLY, MAKE SURE THE POWER IS SWITCHED OFF.



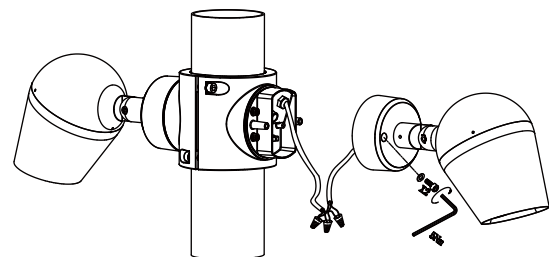
1



2



3



4

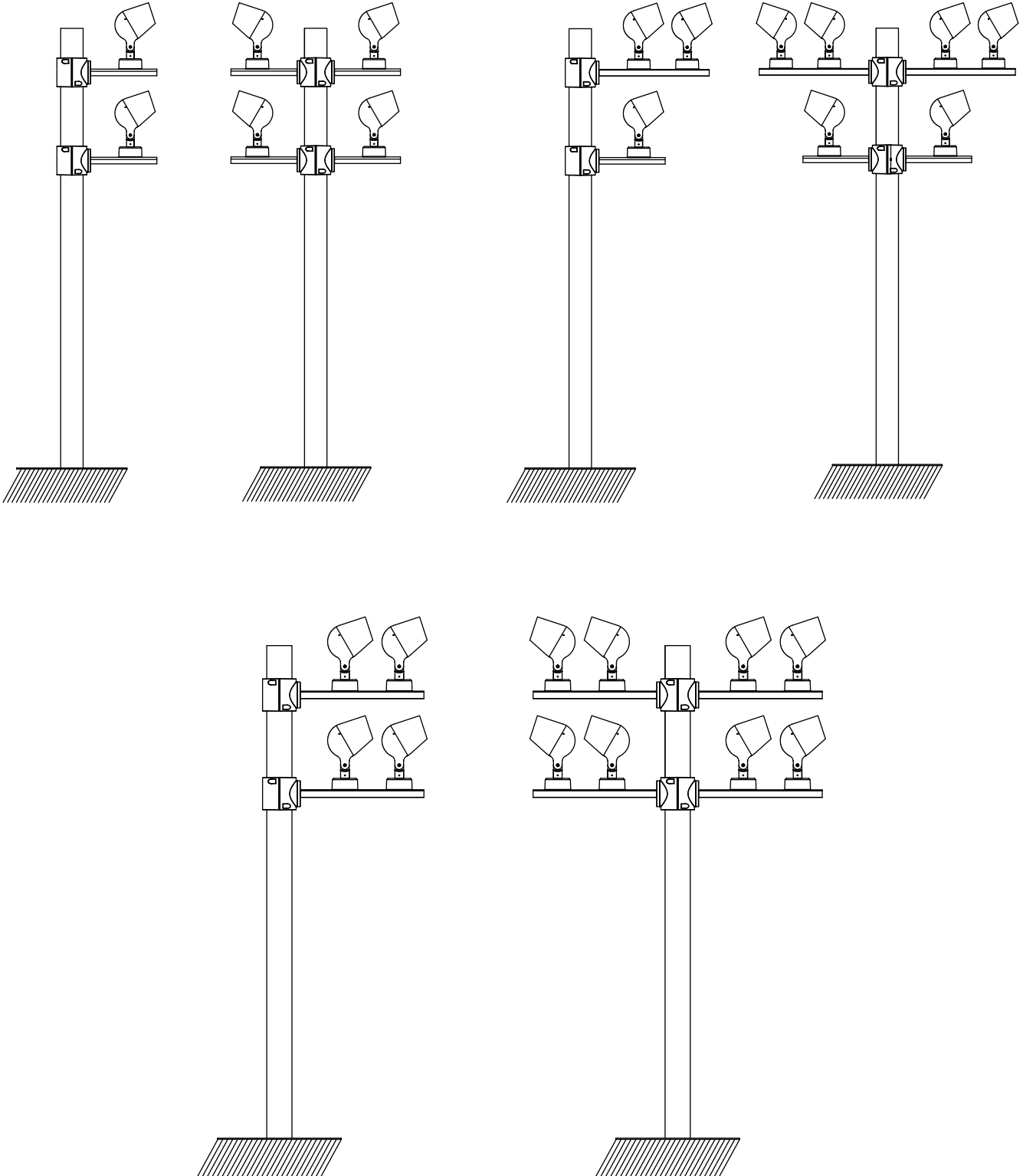
LT-SL SERIES INSTALLATION



LI-TIAN LIGHTING

(Pole/mast installation) - INSTRUCTIONS

Cluster Column



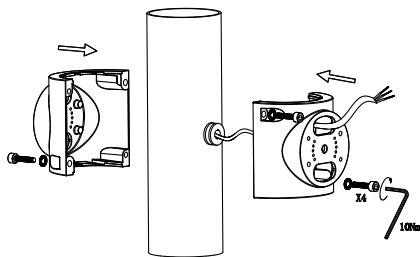
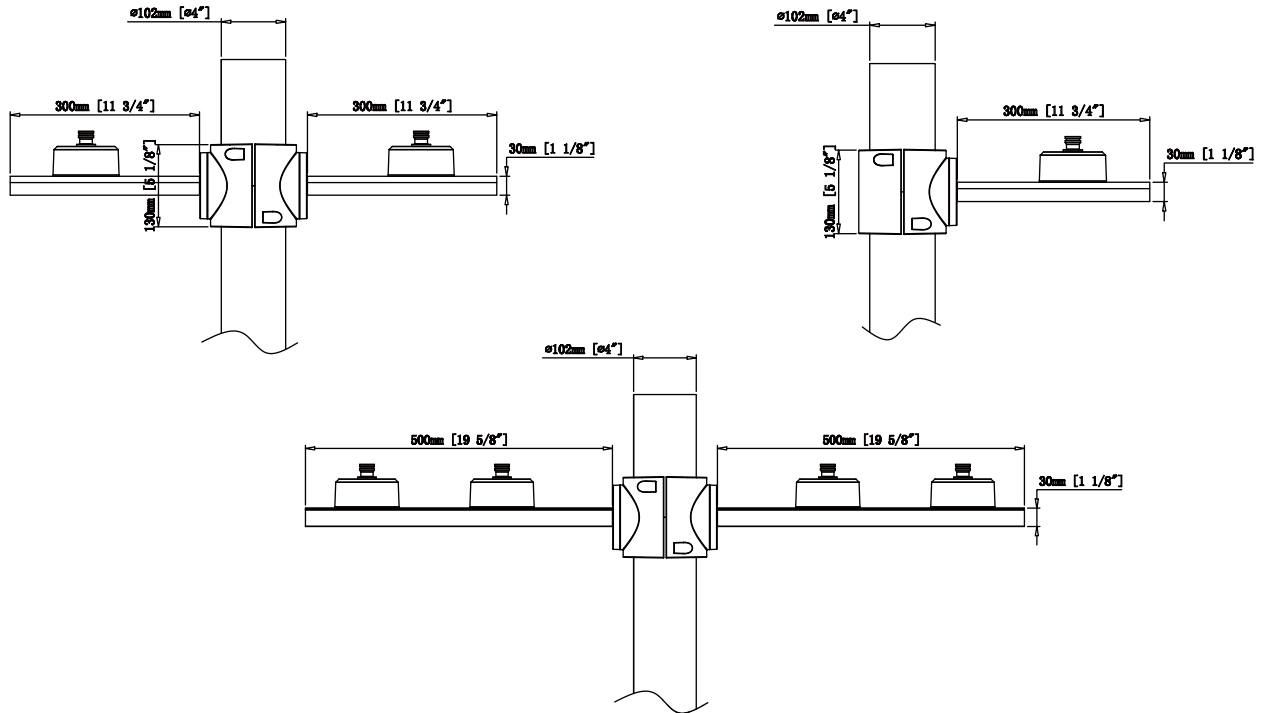
LT-SL SERIES INSTALLATION



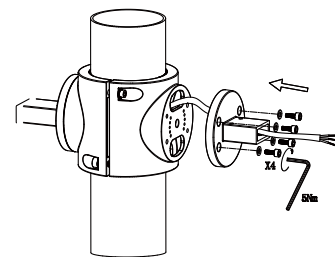
LI-TIAN LIGHTING

(Pole/mast installation) - INSTRUCTIONS

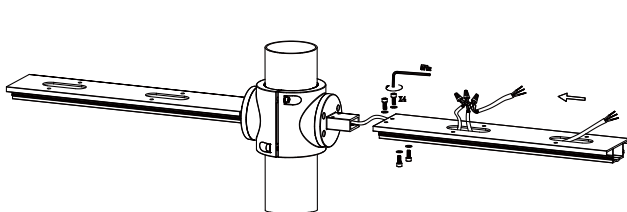
CAUTION: BEFORE CONNECTING THE FIXTURE TO A POWER SUPPLY, MAKE SURE THE POWER IS SWITCHED OFF.



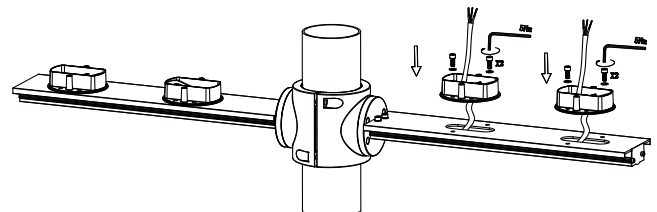
1



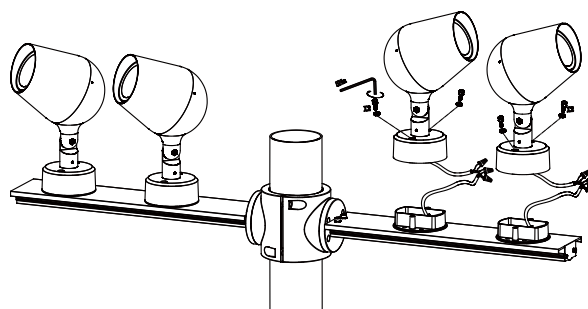
2



3



4



5

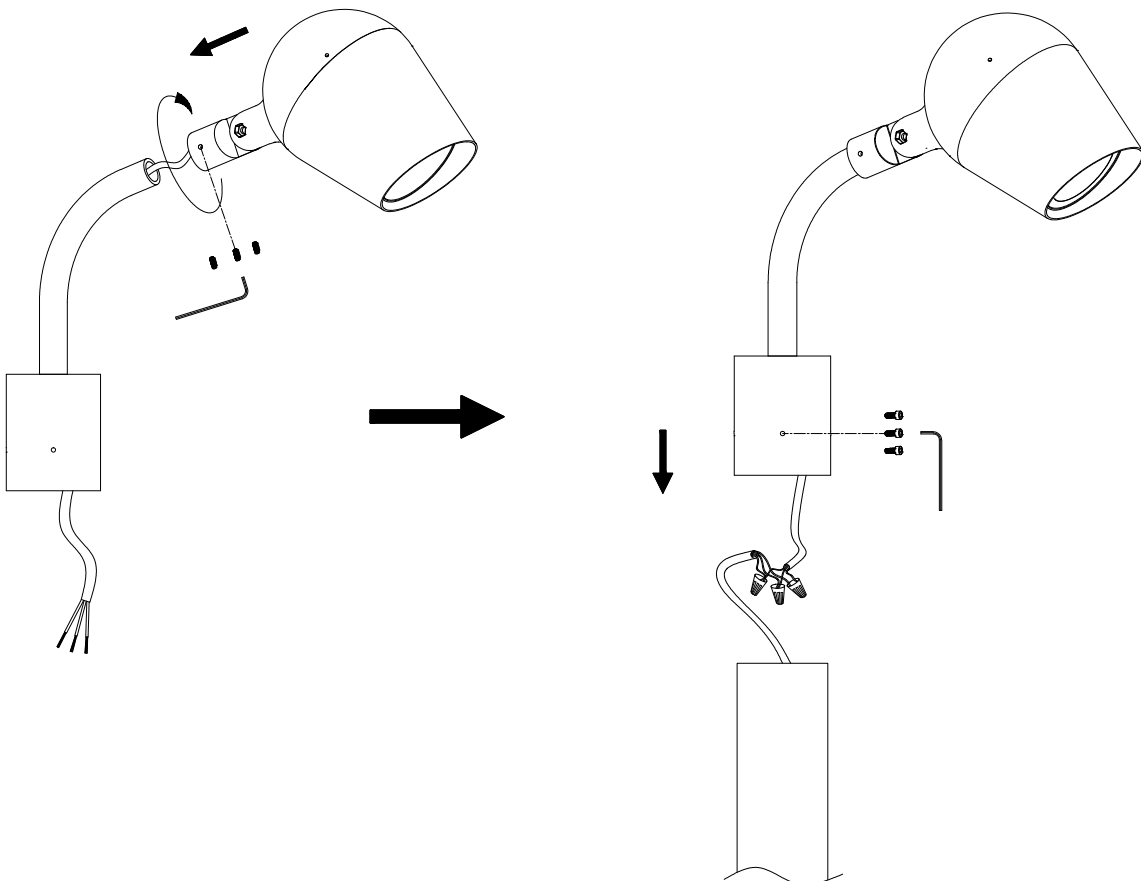
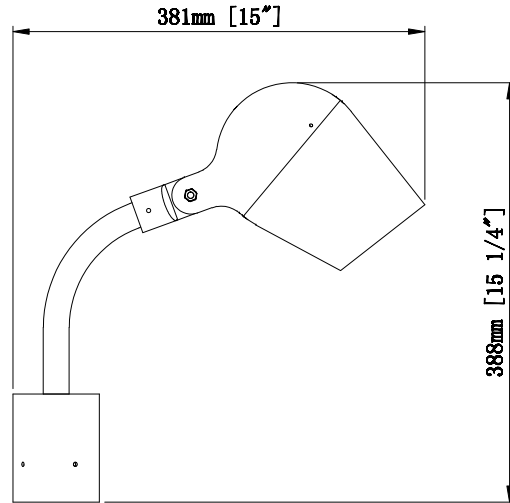
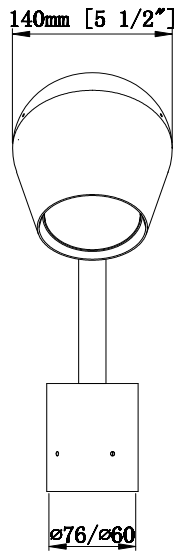
LT-SL SERIES INSTALLATION



LI-TIAN LIGHTING

(Pole mount single arm) - INSTRUCTIONS

CAUTION: BEFORE CONNECTING THE FIXTURE TO A POWER SUPPLY, MAKE SURE THE POWER IS SWITCHED OFF.



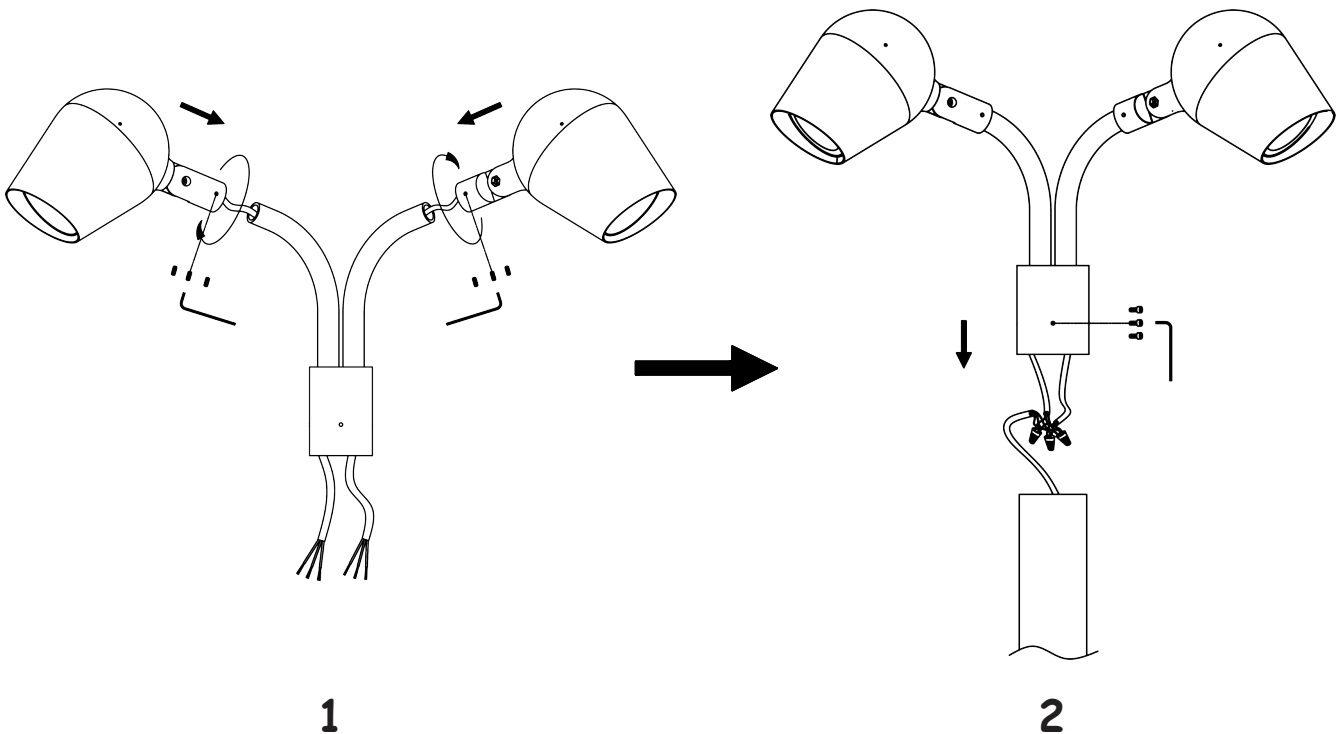
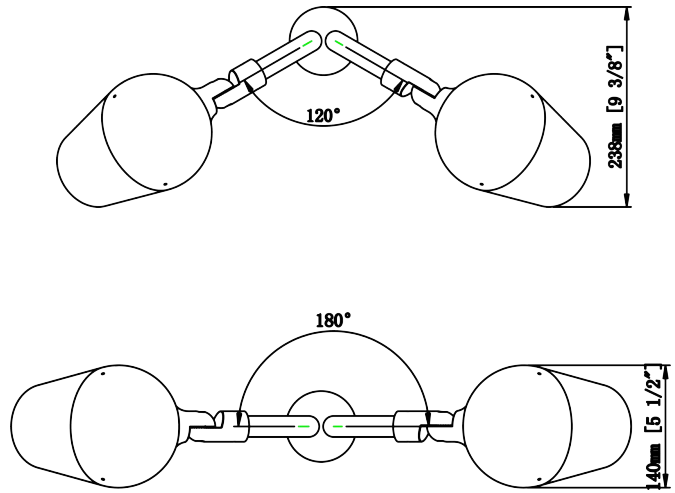
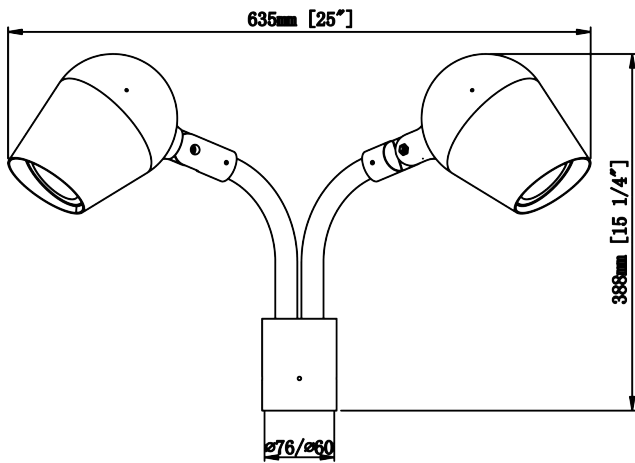
LT-SL SERIES INSTALLATION



LI-TIAN LIGHTING

(Pole mount double arm) - INSTRUCTIONS

CAUTION: BEFORE CONNECTING THE FIXTURE TO A POWER SUPPLY, MAKE SURE THE POWER IS SWITCHED OFF.



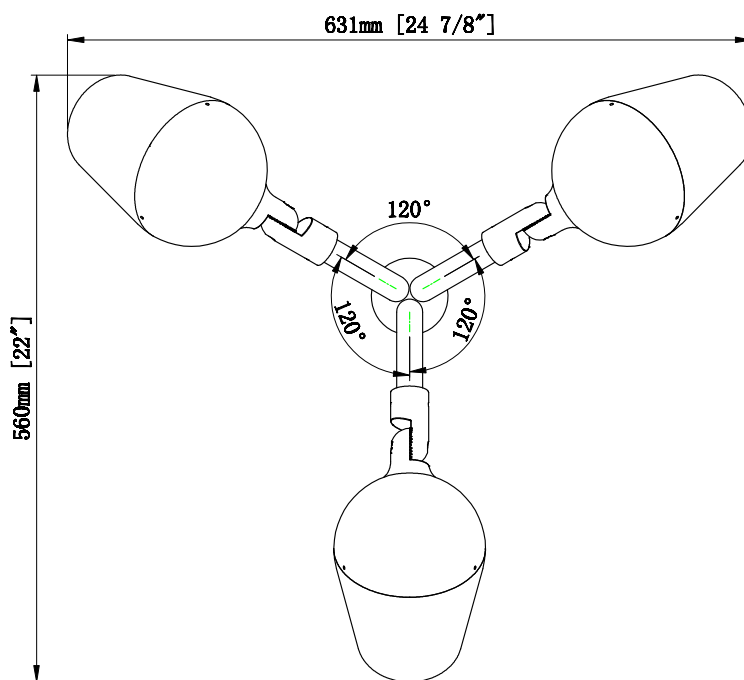
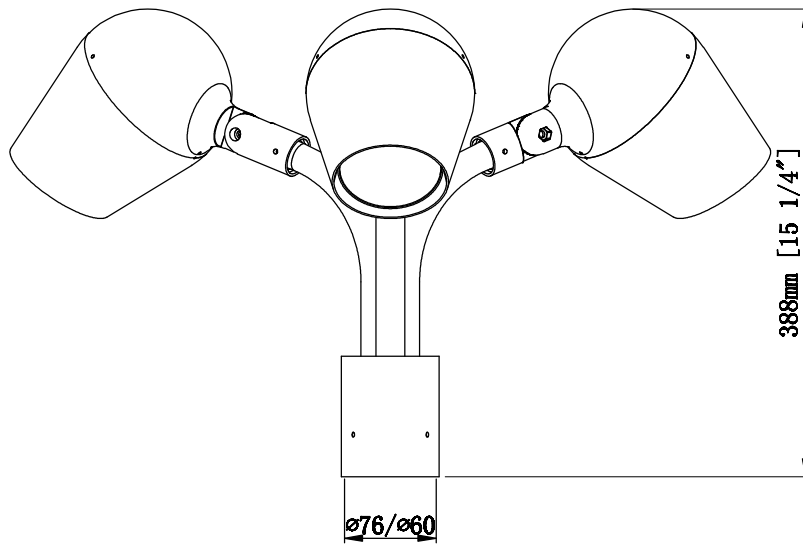
LT-SL SERIES INSTALLATION



LI-TIAN LIGHTING

(Pole mount three arm) - INSTRUCTIONS

CAUTION: BEFORE CONNECTING THE FIXTURE TO A POWER SUPPLY, MAKE SURE THE POWER IS SWITCHED OFF.



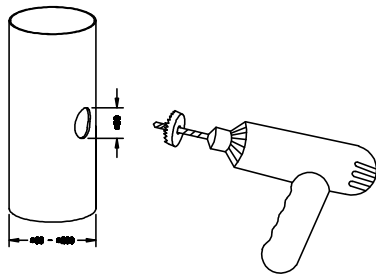
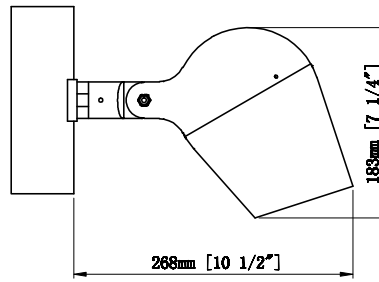
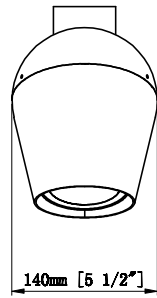
LT-SL SERIES INSTALLATION



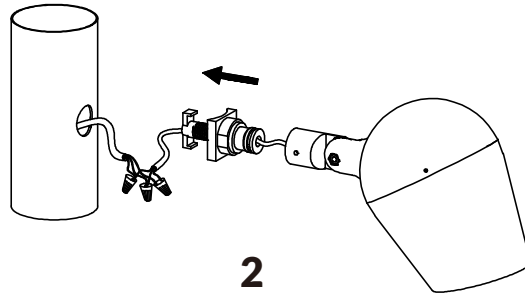
LI-TIAN LIGHTING

(Pole coupler) - INSTRUCTIONS

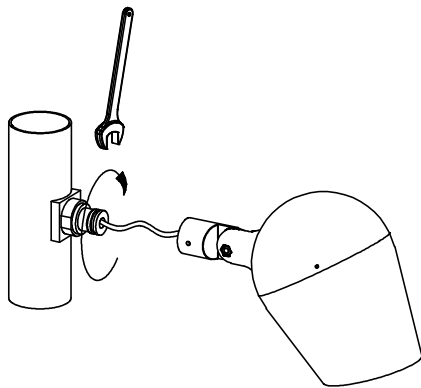
1/2" I.P.S. POLE COUPLE THAT CAN BE EASILY INSTALLED TO POLES IN THE FIELD.



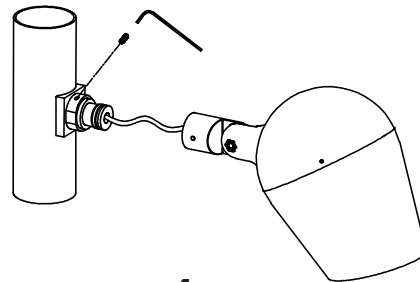
1



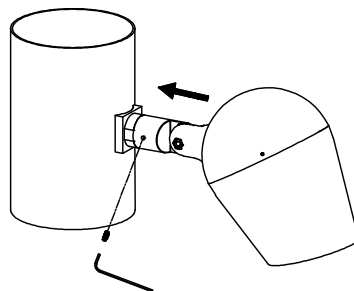
2



3



4



5

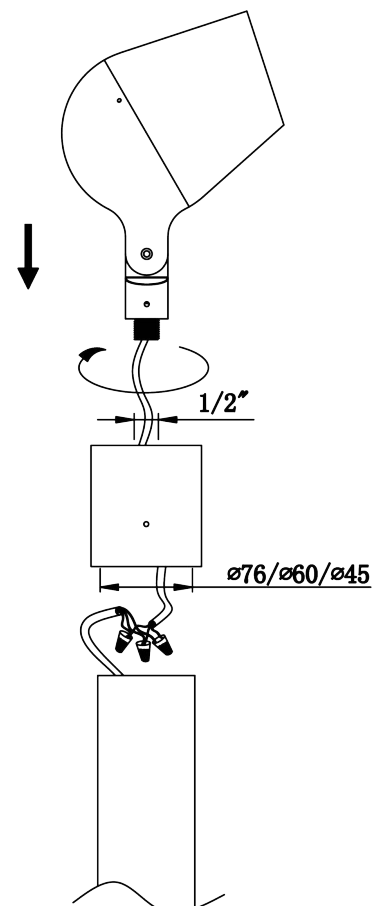
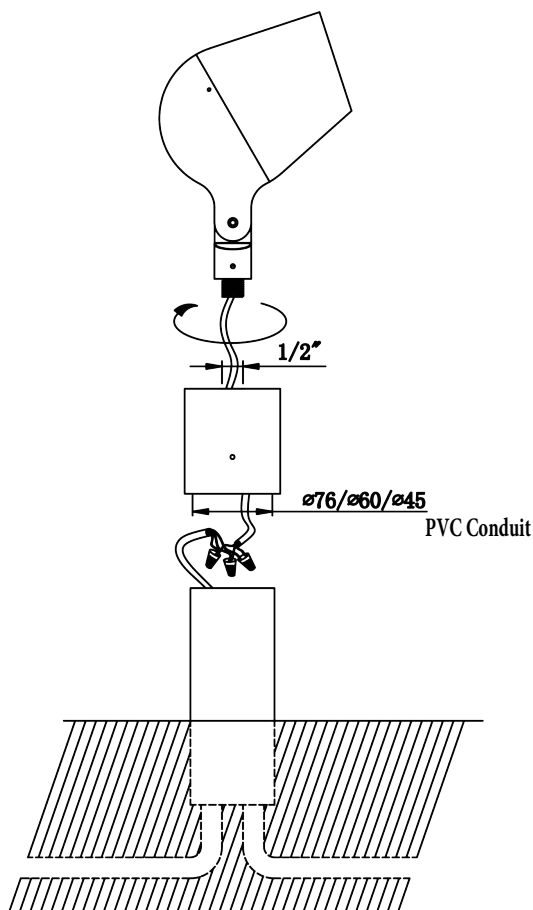
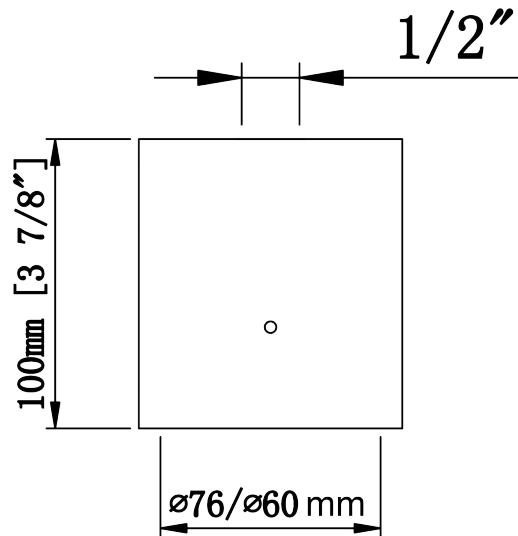
LT-SL SERIES INSTALLATION



LI-TIAN LIGHTING

(Polar cap installation) - INSTRUCTIONS

CAUTION: BEFORE CONNECTING THE FIXTURE TO A POWER SUPPLY, MAKE SURE THE POWER IS SWITCHED OFF.



LT-SL SERIES INSTALLATION

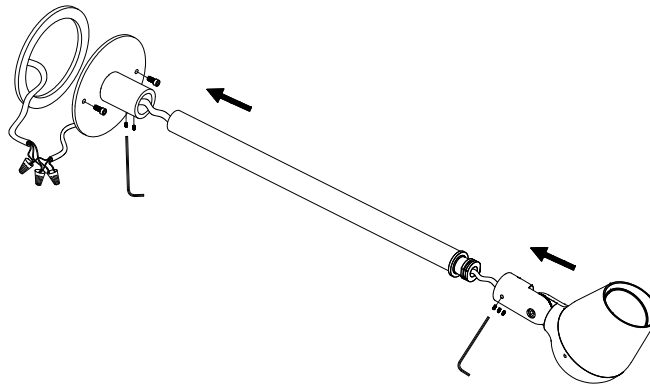


LI-TIAN LIGHTING

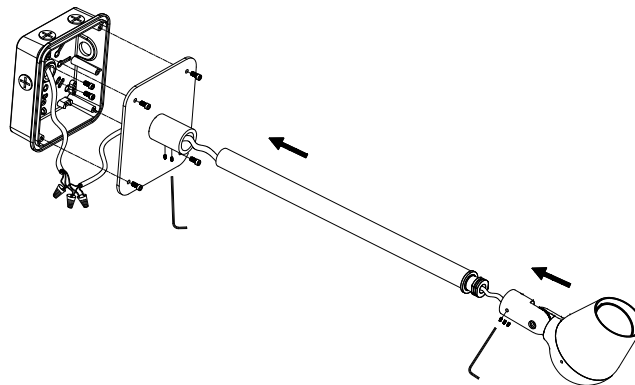
(Identification light installation) - INSTRUCTIONS

CAUTION: BEFORE CONNECTING THE FIXTURE TO A POWER SUPPLY, MAKE SURE THE POWER IS SWITCHED OFF.

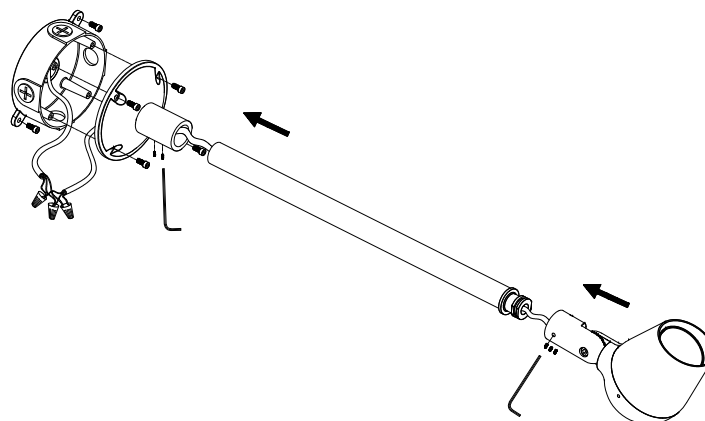
A



B



C



LT-SL SERIES INSTALLATION

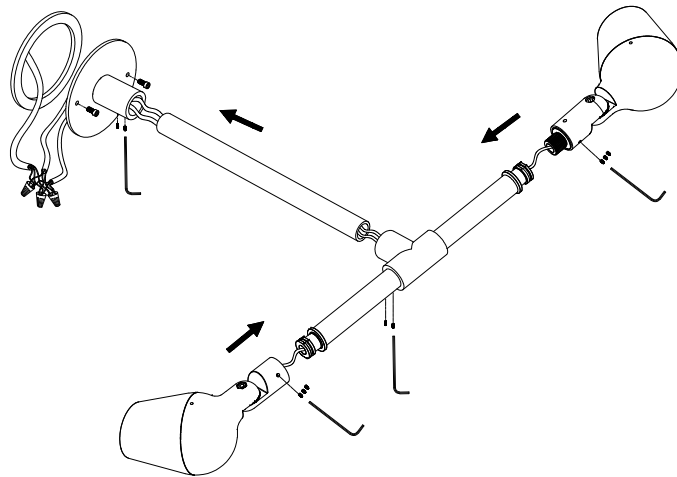


LI-TIAN LIGHTING

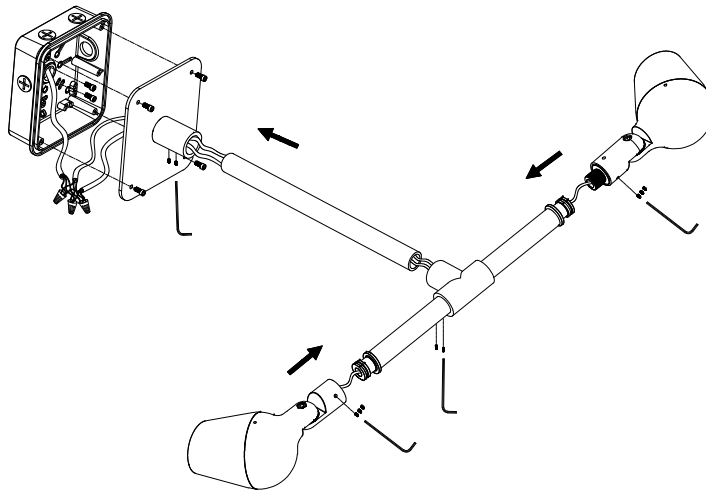
(Identification light installation) - INSTRUCTIONS

CAUTION: BEFORE CONNECTING THE FIXTURE TO A POWER SUPPLY, MAKE SURE THE POWER IS SWITCHED OFF.

D



E



F

